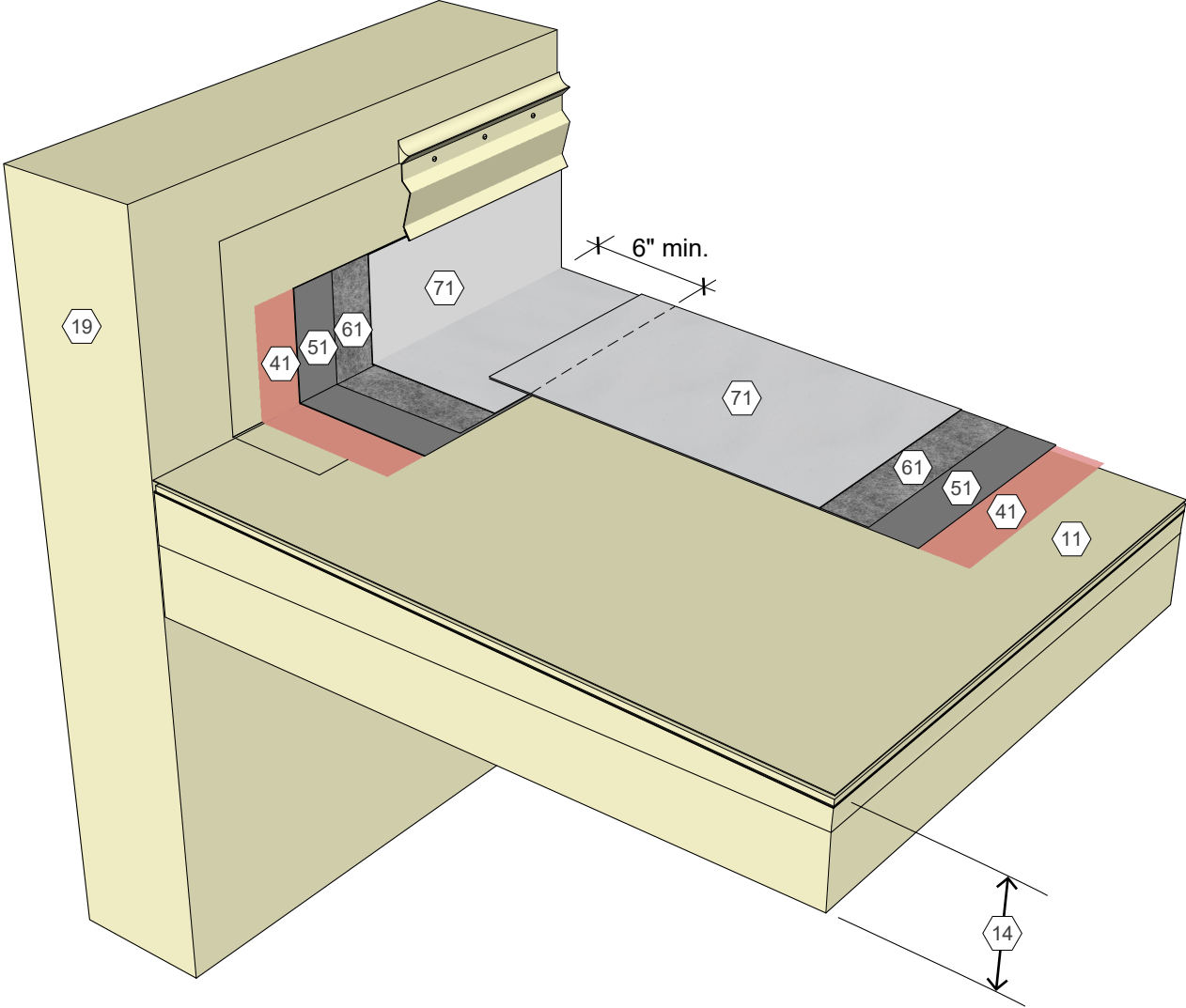


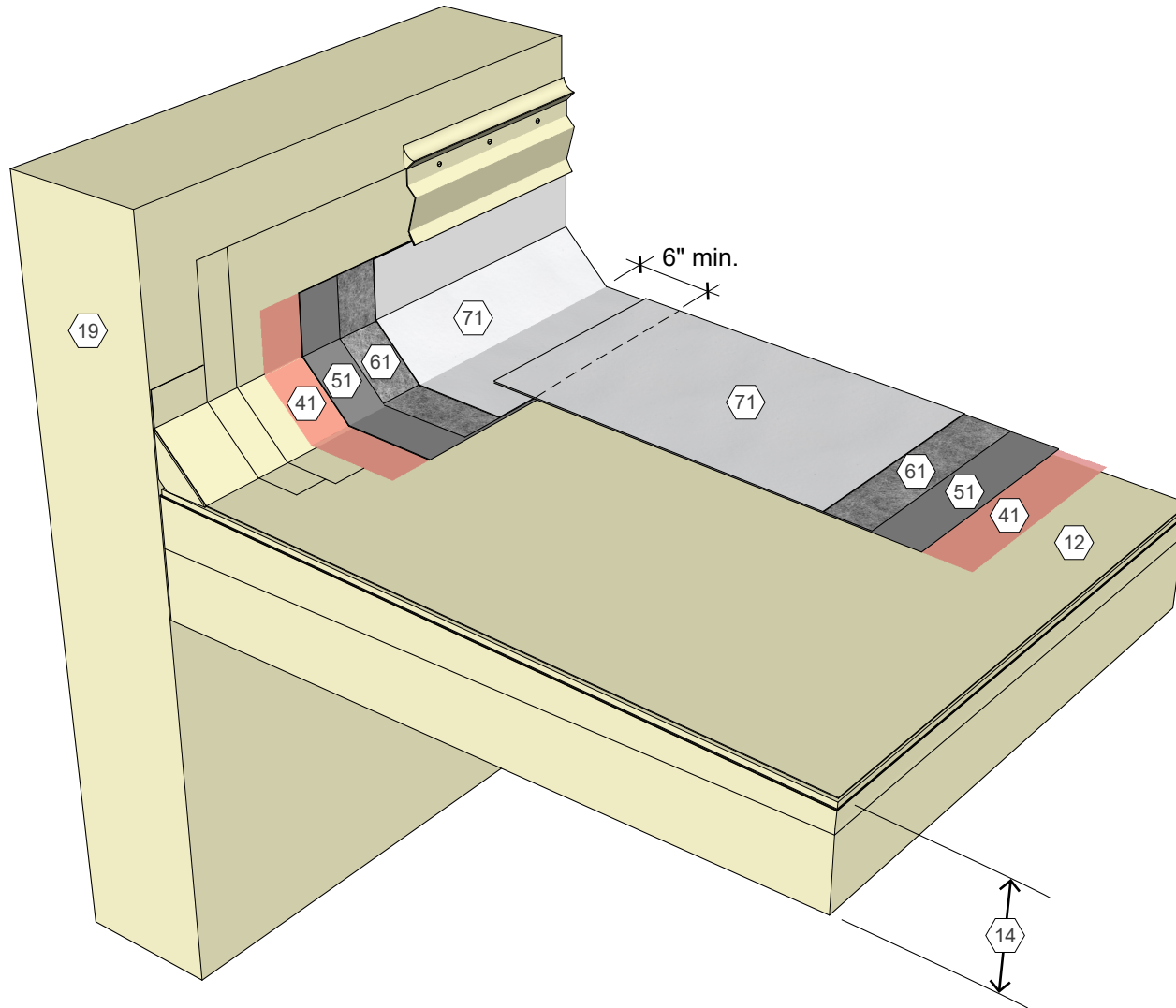
KEY NOTES

- 11 Existing Single-Ply Membrane
- 14 Existing Structural Deck and Insulation Assembly
- 19 Wall Assembly
- 41 Approved Primer
- 51 AlphaGuard MT/MTS Base Coat
- 61 AlphaGuard Glass Mat or Permafab
- 71 AlphaGuard MT/MTS Top Coat



AlphaGuard® MT/MTS Restoration Detail, Single-Ply, Parapet Wall
 Detail 12051





KEY NOTES

- 12 Existing MB or Smooth BUR
- 14 Existing Structural Deck and Insulation Assembly
- 19 Wall Assembly
- 41 Approved Primer
- 51 AlphaGuard MT/MTS Base Coat
- 61 AlphaGuard Glass Mat or Permafab
- 71 AlphaGuard MT/MTS Top Coat

AlphaGuard® MT/MTS Restoration Detail, MB or Smooth BUR, Parapet Wall
Detail 12052